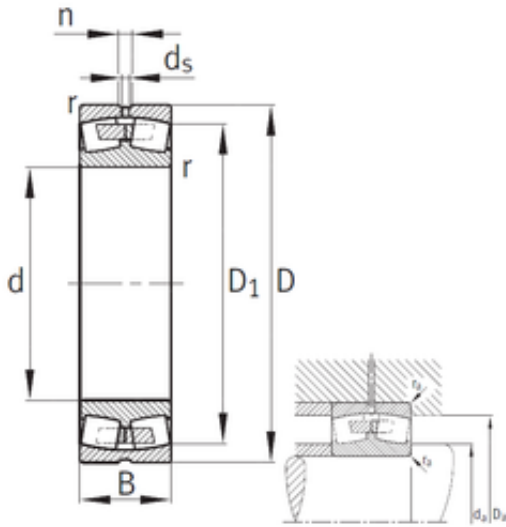




Machinery Parts Bearing Manufacturing



360 mm x 600 mm x 243 mm FAG 24172-B Spherical Roller Bearings

Bearing No. 24172-B

Size	360x600x243 mm
Bore Diameter	360 mm
Outer Diameter	600 mm
Width	243 mm
d	360 mm
D	600 mm
B	243 mm
C	243 mm
n	17,7 mm
r min.	5 mm
D1	503,6 mm
da min.	380 mm
Da max.	580 mm
ra max.	4 mm
d5	9,5 r/min
Weight	279 Kg
Basic dynamic load rating (C)	4500 kN
Basic static load rating (C0)	9000 kN
Fatigue load limit (Pu)	550
Reference speed	355 r/min
Limiting speed	750 r/min
Calculation factor (e)	0,41
Calculation factor (Y0)	1,6
Calculation factor (Y1)	1,63

24172-B Bearing 2D drawings and 3D CAD models